

BATTON-LED BATTEN LIGHT- 10,20,25,40 AND 50W IP42 LUMINAIRE

DESIGNER

Fosscape Studio

DESCRIPTION

LED Batten with field replaceable light engine available in 10W, 20W, 25W, 40W and 50W. Perfect solution for replacing traditional Fluorescent tube battens. Elegant and simple modular luminaire suitable for commercial applications such as offices, schools, retail environments, industrial applications etc. Polycarbonate opal diffuser with an excellent light distribution and Aluminum powder coated finish white, Silver or Black body for excellent heat dissipation will provide years of service life.



FEATURES

Product Code	:	LB-10W6K-580-
Environment	:	Indoor
Installation	:	Surface Ceiling/Wall
Input Voltage	:	240V±10%
Driver	:	Integral Electronic
Finish	:	Powder Coated Aluminium White Silver or Black finish
Dimming	:	Optional
Motion Sensor	:	Optional
Emergency Battery Back up	:	Optional
Warranty	:	*5 Year

LIGHT SOURCE

Category	:	Indoor
Number	:	1
Wattage	:	10/20/25/40/50W
Lumens	:	130 Lm Per Watt
Beam Angle	:	120°
Color Temperature	:	6000K
CRI	:	>83
Life Span	:	60,000Hrs

IP RATING

IP RATING : IP 42

PRODUCT BRIEF SPECIFICATION TABLE

LED(Watt)	Flouro(Watt)	Lumens	Dimensions(mm)
10W	1x18W	1300Lm	580x80x50
2x10W	2x18W	2600Lm	580x80x50
20W	1x36W	2600Lm	1190x80x50
2x20W	2x36W	5200Lm	1190x80x50
25W	1x58W	3250Lm	1500x80x50
2x25W	2x58W	6500Lm	1500x80x50

Notes:

Installation must be carried out by specialized personnel.
*Warranty conditions please request manufacturer.

MIRROR LIGHT - 10W IP44 LUMINAIRE

DESIGNER

Fosscape Studio

DESCRIPTION

LED Mirror Light with field replaceable light engine available in 10W. Perfect solution for replacing traditional Fluorescent tube Mirror batten. Elegant and simple modular luminaire suitable wet locations such as rooms, above mirror etc. Polycarbonate opal diffuser with an excellent light distribution and Aluminum powder coated finish white, Silver or Black body for excellent heat dissipation will provide years of service life.



FEATURES

Product Code	:	LM-10W6K-580-
Environment	:	Indoor
Installation	:	Surface Ceiling/Wall
Input Voltage	:	240V±10%
Driver	:	Integral Electronic
Finish	:	Powder Coated Aluminium White Silver or Black finish
Dimming	:	Optional
Motion Sensor	:	Optional
Emergency Battery Back up	:	Optional
Warranty	:	*5 Year

LIGHT SOURCE

Category	:	Indoor
Number	:	1
Wattage	:	10W
Lumens	:	130 Lm Per Watt
Beam Angle	:	120°
Color Temperature	:	6000K
CRI	:	>83
Life Span	:	60,000Hrs

IP RATING

IP RATING	:	IP 44
-----------	---	-------

PRODUCT BRIEF SPECIFICATION TABLE

LED(Watt)	Flouro(Watt)	Lumens	Dimensions(mm)
10W	1x15W	1300Lm	565x65x30

Notes:

Installation must be carried out by specialized personnel.
*Warranty conditions please request manufacturer.

GLIDE- PREMIERE LINE PANEL IP44/65 Panel Light 32W Micro-Prismatic

DESIGNER

Fosscape Studio

DESCRIPTION

Glide- Premiere line Panel, is a slim clean, stylish aesthetics luminaire built with seamless pretreated white powder coated aluminium alloy frame, LM80 LED light source, special designed guide plate, CDMP diffuser is a pure light optic design ensure Glare and Luminance are within the CIBSE guidelines for most room sizes. The panel allows the installation to comply with EN12464, so no visual strains. Luminance <math><3000\text{cd}/\text{m}^2</math> at <math><^{\circ}65</math> for ease of screen viewing. A perfect LED replacement for 4x18W T8 lay-in panels. This luminaire is not only a great energy saving fixture but comes with back up *5-year warranty.



FEATURES

Product Code	:	GP-32W6K-...
Environment	:	Indoor
Installation	:	Recessed/Surface/Suspended Ceiling
Input Voltage	:	240V±10%
Driver	:	Isolated Integral Electronic
Body Finish	:	Powder Coated Aluminium White
Dimming	:	Optional
Emergency Battery Back up	:	Optional
Warranty	:	*5 Year

LIGHT SOURCE

Category	:	Indoor
Number	:	1
Wattage	:	32W
Lumens	:	115 Lm Per Watt
Beam Angle	:	120°
Color Temperature	:	6000K
CRI	:	>83
Life Span	:	60,000Hrs

IP RATING

IP RATING : IP 44/65

PRODUCT BRIEF SPECIFICATION TABLE

LED(Watt)	Fluorescent(Watt)	Lumens	Dimensions(mm)
32W	4x18W	3680Lm	595x595x10

Notes:

Installation must be carried out by specialized personnel.
*Warranty conditions please request manufacturer.

LUNAR-LED CEILING RECESSED DOWN LIGHT- 10,12,15,20,25,30 AND 36W IP54 LUMINAIRE

DESIGNER

Fosscape Studio

DESCRIPTION

A Spec grade, low depth recessed LED “Lunar” range Downlight adopts high quality LED with internal reflector and external Fire-resistant Polycarbonate opal diffuser with gasket for even light output and on/off or dimmable driver off-board. The heat sink system is based on principal of conduction, radiation and convection. Fixed CCT or LTS technology for CCT switching is optional. Ideal and affordable solution for both retrofit and new installations. Elegant and simple modular luminaire suitable for commercial applications such as offices, schools, Hospitals, residences, hotels, retail environments etc.



FEATURES

Product Code	:	LDL-10W6K-200-...
Environment	:	Indoor
Installation	:	Surface Ceiling/Wall
Input Voltage	:	240V±10%
Driver	:	Isolated Integral Electronic
Finish	:	Powder Coated Aluminium White Silver or Black finish
	:	Optional
Dimming	:	Optional
Motion Sensor	:	Optional
Emergency Battery Back up	:	*5 Year
Warranty		

LIGHT SOURCE

Category	:	Indoor
Number	:	1
Wattage	:	10/12/15/20/25/30/36Watt
Lumens	:	100 Lm Per Watt
Beam Angle	:	100°
Color Temperature	:	6000K
CRI	:	>83
Life Span	:	60,000Hrs

IP RATING

IP RATING : IP 54

PRODUCT BRIEF SPECIFICATION TABLE

LED(Watt)	Cutout(mm)	Lumens	Dimensions(mm)
10W	Φ100	1000Lm	Φ110x45
12/15W	Φ130	1200/1500Lm	Φ140x45
15/20/25W	Φ170	1500/2000/2500Lm	Φ190x45
25/30/36W	Φ200	2500/3000/3600Lm	Φ228x45

Notes:

Installation must be carried out by specialized personnel.
*Warranty conditions please request manufacturer.

SKY- LED ceiling recessed Down Light- 10,20,30,40 and 50W IP44 Luminaire

DESIGNER

Fosscape Studio

DESCRIPTION

SKY- IP44, Downlights provide an exceptionally versatile long-life solution for Domestic or Commercial installations. They are the most popular light fitting used to create mood and ambience, which is important in any environment.

SKY, have a full range of downlights made from quality materials that provide great aesthetics, BLACK OR WHITE color finishes to match or contrast with decor, doors, or other furniture. Matt silver or Mirror reflector with combination with primary optical lens create high uniformity and excellent visual comfort. High performance LED source and high-quality finish designed meet most of the applications of indoor spaces such as homes, hotels, offices, hospitals etc.



FEATURES

Product Code	:	SDL-10W6K-200-...
Environment	:	Indoor
Installation	:	Surface Ceiling/Wall
Input Voltage	:	240V±10%
Driver	:	Isolated Integral Electronic
Finish	:	Powder Coated Aluminium White Silver or Black finish
Dimming	:	Optional
Motion Sensor	:	Optional
Emergency Battery Back up	:	Optional
Warranty	:	*5 Year

LIGHT SOURCE

Category	:	Indoor
Number	:	1
Wattage	:	10/20/30/40/50Watt
Lumens	:	115 Lm Per Watt
Beam Angle	:	24°/38°/60°
Color Temperature	:	6000K
CRI	:	>83
Life Span	:	60,000Hrs

IP RATING

IP RATING	:	IP 44
-----------	---	-------

PRODUCT BRIEF SPECIFICATION TABLE

LED(Watt)	Cutout(mm)	Lumens	Dimensions(mm)
10W	Φ70	1150Lm	Φ85x55
20/30W	Φ120	2300/3450Lm	Φ140x72
40W	Φ160	4600Lm	Φ180x95
50W	Φ195	5750Lm	Φ210x110

Notes:

Installation must be carried out by specialized personnel.
*Warranty conditions please request manufacturer.

TUBE-LED Surface Down Light- 10,20,30 and 50W IP65 Luminaire

DESIGNER

Fosscape Studio

DESCRIPTION

A Spec grade, IP65 Tubular surface mount LED Downlight adopts high quality LED with internal reflector and Clear diffuser with gasket for even light output and on/off or dimmable driver. Elegant and simple luminaire suitable for commercial applications such as offices, schools, Hospitals, residences, hotels, retail environments etc.

FEATURES

Product Code	:	TDL-10W6K-200...
Environment	:	Indoor
Installation	:	Surface Ceiling/Wall
Input Voltage	:	240V±10%
Driver	:	Isolated Integral Electronic
Finish	:	Powder Coated Aluminium White Silver or Black finish
Dimming	:	Optional
Motion Sensor	:	Optional
Emergency Battery Back up	:	Optional
Warranty	:	*5 Year

LIGHT SOURCE

Category	:	Indoor
Number	:	1
Wattage	:	10/20/30/50Watt
Lumens	:	100 Lm Per Watt
Beam Angle	:	60°
Color Temperature	:	6000K
CRI	:	>83
Life Span	:	60,000Hrs

IP RATING

IP RATING : IP 65

PRODUCT BRIEF SPECIFICATION TABLE

LED(Watt)	Lumens	Dimensions(mm)
10W	1000Lm	D90*H120mm
20W	2000Lm	D110*H150mm
30W	3000Lm	D145*H200mm
50W	5000Lm	D180*H300mm



Notes:

Installation must be carried out by specialized personnel.
*Warranty conditions please request manufacturer.

ROBUS- LED Ceiling Recessed Down Light- 10,20,30 and 40W IP65 Luminaire

DESIGNER

Fosscape Studio

DESCRIPTION

A Spec grade, recessed architectural Downlight adopts high quality LED with internal reflector and a clear diffuser for smooth light output and on/off or dimmable driver off-board. Ideal for outdoor installations. Elegant and simple modular luminaire suitable for commercial applications such as offices, schools, Hospitals, residences, hotels, retail environments etc.



FEATURES

Product Code	:	RDL-10W6K-200-...
Environment	:	Indoor
Installation	:	Surface Ceiling/Wall
Input Voltage	:	240V±10%
Driver	:	Isolated Integral Electronic
Finish	:	Powder Coated Aluminium White Silver or Black finish
Dimming	:	Optional
Motion Sensor	:	Optional
Emergency Battery Back up	:	Optional
Warranty	:	*5 Year

LIGHT SOURCE

Category	:	Indoor
Number	:	1
Wattage	:	10/20/30/40Watt
Lumens	:	100 Lm Per Watt
Beam Angle	:	60°
Color Temperature	:	6000K
CRI	:	>83
Life Span	:	60,000Hrs

IP RATING

IP RATING	:	IP 65
-----------	---	-------

PRODUCT BRIEF SPECIFICATION TABLE

LED(Watt)	Cutout(mm)	Lumens	Dimensions(mm)
10W	Φ90	1000Lm	D110*H60mm
20W	Φ110	2000Lm	D130*H70mm
30W	Φ145	3000Lm	D165*H80mm
40W	Φ200	4000Lm	D220*H90mm

Notes:

Installation must be carried out by specialized personnel.

*Warranty conditions please request manufacturer.

SPOT- LED ceiling recessed Down Light- 5,12 and 18W IP44 Luminaire

DESIGNER

Fosscape Studio

DESCRIPTION

A Spec grade, recessed architectural Downlight adopts high quality LED with internal coated reflector of choice in black, silver, white, gold or black step reflector for smooth light distribution and on/off or dimmable driver off-board. Ideal indoor installations for general lighting. Modular luminaire suitable for commercial applications such as offices, schools, Hospitals, residences, hotels, retail environments etc.

FEATURES

Product Code	:	SDL-10W6K-200...
Environment	:	Indoor
Installation	:	Surface Ceiling/Wall
Input Voltage	:	240V±10%
Driver	:	Isolated Integral Electronic
Finish	:	Powder Coated Aluminium White Silver or Black finish
Dimming	:	Optional
Motion Sensor	:	Optional
Emergency Battery Back up	:	Optional
Warranty	:	*5 Year

LIGHT SOURCE

Category	:	Indoor
Number	:	1
Wattage	:	5/12/18Watt
Lumens	:	100 Lm Per Watt
Beam Angle	:	24°
Color Temperature	:	6000K
CRI	:	>83
Life Span	:	60,000Hrs

IP RATING

IP RATING	:	IP 44
-----------	---	-------

PRODUCT BRIEF SPECIFICATION TABLE

LED(Watt)	Cutout(mm)	Lumens	Dimensions(mm)
5W	Ø55	1000Lm	D68*H80mm
12W	Ø75	2000Lm	D90*H105mm
18W	Ø90	3000Lm	D110*H125mm



Notes:

Installation must be carried out by specialized personnel.
*Warranty conditions please request manufacturer.

WALLPACK- Mini LED Surface Wall Light- 18 and 26W IP66 Luminaire

DESIGNER

Fosscape Studio

DESCRIPTION

The Wall Pack- Mini luminaire provides traditional architectural style with high performance energy efficient illumination. Rugged die-cast aluminum construction, UV resistant Polycarbonate diffuser, stainless steel hardware along with a sealed and gasketed optical compartment makes the luminaire virtually impenetrable to contaminants. The luminaire is ideal for pathway illumination, building entrances, ramps, schools, loading docks etc.

FEATURES

Product Code	:	WPM-18W6K...
Environment	:	Indoor
Installation	:	Surface Ceiling/Wall
Input Voltage	:	240V±10%
Driver	:	Integral Electronic
Finish	:	Powder Coated Aluminium White Silver or Black finish
Dimming	:	Optional
Motion Sensor	:	Optional
Emergency Battery Back up	:	Optional
Warranty	:	*5 Year

LIGHT SOURCE

Category	:	Indoor
Number	:	1
Wattage	:	18/26Watt
Lumens	:	130 Lm Per Watt
Beam Angle	:	120°
Color Temperature	:	6000K
CRI	:	>83
Life Span	:	60,000Hrs

IP RATING

IP RATING : IP 66

PRODUCT BRIEF SPECIFICATION TABLE

LED(Watt)	Lumens	Dimensions(mm)
18W	2350Lm	D90*H230*W150mm
26W	3400Lm	D90*H230*W150mm



Notes:

Installation must be carried out by specialized personnel.
*Warranty conditions please request manufacturer.

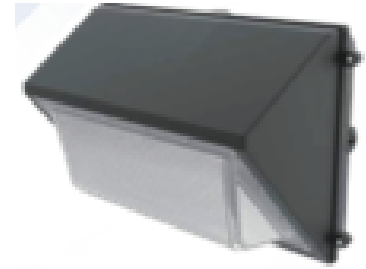
WALLPACK- LED Surface Wall Light- 40W, 60W, 100W IP66 Luminaire

DESIGNER

Fosscape Studio

DESCRIPTION

The Wall Pack luminaire provides traditional architectural style with high performance energy efficient illumination. Rugged die-cast aluminum construction, Glass Diffuser stainless steel hardware along with a sealed and gasketed optical compartment makes the luminaire virtually impenetrable to contaminants. The luminaire is ideal for pathway illumination, building entrances, ramps, schools, loading docks etc.



FEATURES

Product Code	:	WP-40W6K-...
Environment	:	Indoor
Installation	:	Surface Ceiling/Wall
Input Voltage	:	240V±10%
Driver	:	Integral Electronic
Finish	:	Powder Coated Aluminium White Silver or Black finish
Dimming	:	Optional
Motion Sensor	:	Optional
Emergency Battery Back up	:	Optional
Warranty	:	*5 Year

LIGHT SOURCE

Category	:	Indoor
Number	:	1
Wattage	:	40/60/100Watt
Lumens	:	130 Lm Per Watt
Beam Angle	:	120°
Color Temperature	:	6000K
CRI	:	>83
Life Span	:	60,000Hrs

IP RATING

IP RATING : IP 66

PRODUCT BRIEF SPECIFICATION TABLE

LED(Watt)	Lumens	Dimensions(mm)
40W	5450Lm	D185*H250*W385mm
60W	7800Lm	D90*H250*W385mm
100W	10,000Lm	D90*H250*W385mm

Notes:

Installation must be carried out by specialized personnel.

*Warranty conditions please request manufacturer.

CEILPACK- SQUARE LED Surface Ceiling Light- 50 and 75W IP66 Luminaire

DESIGNER

Fosscape Studio

DESCRIPTION

The Ceil Pack square luminaire provides traditional architectural style with high performance energy efficient illumination. Rugged die-cast aluminum construction, UV resistant Polycarbonate Diffuser stainless steel hardware along with a sealed and gasketed optical compartment makes the luminaire virtually impenetrable to contaminants. The luminaire is ideal for pathway illumination, building entrances, ramps, schools, loading docks etc.



FEATURES

Product Code	:	CPSQ-18W6K...
Environment	:	Indoor
Installation	:	Surface Ceiling/Wall
Input Voltage	:	240V±10%
Driver	:	Integral Electronic
Finish	:	Powder Coated Aluminium White Silver or Black finish
Dimming	:	Optional
Motion Sensor	:	Optional
Emergency Battery Back up	:	Optional
Warranty	:	*5 Year

LIGHT SOURCE

Category	:	Indoor
Number	:	1
Wattage	:	50/75Watt
Lumens	:	120 Lm Per Watt
Beam Angle	:	120°
Color Temperature	:	6000K
CRI	:	>83
Life Span	:	60,000Hrs

IP RATING

IP RATING : IP 66

PRODUCT BRIEF SPECIFICATION TABLE

LED(Watt)	Lumens	Dimensions(mm)
50W	6000Lm	D110*H225*W225mm
75W	9000Lm	D110*H225*W225mm

Notes:

Installation must be carried out by specialized personnel.
*Warranty conditions please request manufacturer.

CEILPACK- CIRCULAR LED Surface Ceiling Light- 50 and 75W IP66 Luminaire

DESIGNER

Fosscape Studio

DESCRIPTION

The Ceil Pack circular luminaire provides traditional architectural style with high performance energy efficient illumination. Rugged die-cast aluminum construction, UV resistant Polycarbonate Diffuser stainless steel hardware along with a sealed and gasketed optical compartment makes the luminaire virtually impenetrable to contaminants. The luminaire is ideal for pathway illumination, building entrances, ramps, schools, loading docks etc.



FEATURES

Product Code	:	CPC-50W6K...
Environment	:	Indoor
Installation	:	Surface Ceiling/Wall
Input Voltage	:	240V±10%
Driver	:	Integral Electronic
Finish	:	Powder Coated Aluminium White Silver or Black finish
Dimming	:	Optional
Motion Sensor	:	Optional
Emergency Battery Back up	:	Optional
Warranty	:	*5 Year

LIGHT SOURCE

Category	:	Indoor
Number	:	1
Wattage	:	50/75Watt
Lumens	:	120 Lm Per Watt
Beam Angle	:	120°
Color Temperature	:	6000K
CRI	:	>83
Life Span	:	60,000Hrs

IP RATING

IP RATING : IP 66

PRODUCT BRIEF SPECIFICATION TABLE

LED(Watt)	Lumens	Dimensions(mm)
50W	6000Lm	Ø290xD125
75W	9000Lm	Ø290xD125

Notes:

Installation must be carried out by specialized personnel.
*Warranty conditions please request manufacturer.

PAR38 LED SPOT- E27- 20 and 30W Lamp

DESIGNER

Fosscape Studio

DESCRIPTION

Die-cast aluminum construction along with a sealed and gasketed optical compartment makes the lamp virtually impenetrable to contaminants. The lamps are ideal for retrofits and new installations.

FEATURES

Product Code	:	P20/38-12W6K...
Environment	:	Indoor
Base Type	:	E27
Input Voltage	:	240V±10%
Driver	:	Integral Electronic
Finish	:	Aluminium Silver
Warranty	:	*3 Year

LIGHT SOURCE

Category	:	Indoor
Number	:	1
Wattage	:	20/30Watt
Lumens	:	100 Lm Per Watt
Beam Angle	:	15°/ 30°
Color Temperature	:	6000K
CRI	:	>83
Life Span	:	50,000Hrs

IP RATING

IP RATING	:	IP 20
-----------	---	-------

PRODUCT BRIEF SPECIFICATION TABLE

LED(Watt)	Lumens	Dimensions(mm)
20W	2000Lm	D95x125
30W	3000Lm	D95x125



Notes:

Installation must be carried out by specialized personnel.
*Warranty conditions please request manufacturer.

ARES- FLOOD - WEATHER PROOF 160 WATT- IP66 LUMINAIRE

DESIGNER

Fosscape Studio

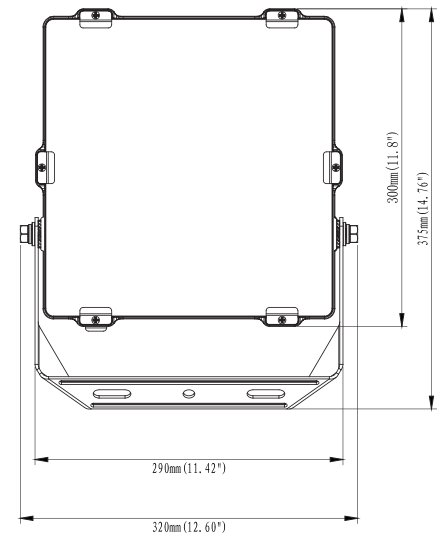
DESCRIPTION

Flood Light with Optical Lens, Shatterproof Clear Glass and powder coated finish. High performance integral Driver and a high-performance LED source and light weight IK08 Anti-Condensation design rated at Ambient temperature of -40°C to +55°C. Contemporary finish designed to meet most of the applications of outdoor and indoor spaces such as Warehouses, Sports arenas, Security posts, Parking areas etc. Wide selection of beam angles available upon request. Standard Color temperatures 3000/6000K



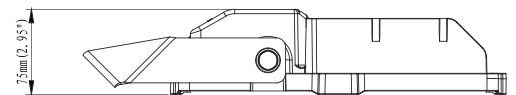
FEATURES

Product Code	:	AFL-160-3/6KXXX
Environment	:	Outdoor/Area Lighting
Installation	:	Pole or Wall Mount
Wattage	:	160W
Dimensions	:	375(H)x320(W)MM
Input Voltage	:	240V±10%
Driver	:	Integral Electronic
Heat Sink	:	Self-Cleaning Smooth
Finish	:	Powder coated Aluminium
Light Source Life	:	100,000Hrs
Nema Socket	:	Optional
Warranty	:	*5 Year



LIGHT SOURCE

Category	:	Outdoor
Number	:	1
Wattage	:	160W
Lumens	:	20,250Lm
Beam Angle	:	60/65x120°
Color Temperature	:	3000/6000K
CRI	:	>80
Life Span	:	100,000Hrs

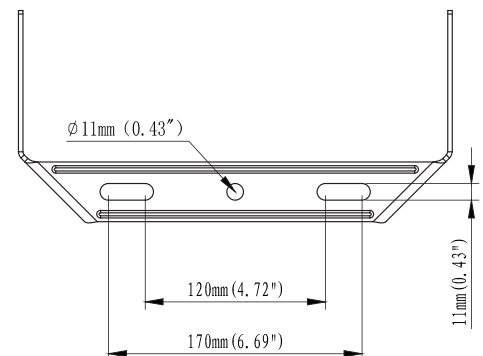


IP RATING

IP RATING : IP 66

IK RATING

IK RATING : IK 08



Notes:
Installation must be carried out by specialized personnel.
*Warranty conditions please request manufacturer.

ARES- FLOOD - WEATHER PROOF 300 WATT- IP66 LUMINAIRE

DESIGNER

Fosscape Studio

DESCRIPTION

Flood Light with Optical Lens, Shatterproof Clear Glass and powder coated finish. High performance integral Driver and a high-performance LED source and light weight IK08 Anti-Condensation design rated at Ambient temperature of -40°C to +55°C. Contemporary finish designed to meet most of the applications of outdoor and indoor spaces such as Warehouses, Sports arenas, Security posts, Parking areas etc. Wide selection of beam angles available upon request. Standard Color temperatures 3000/6000K

FEATURES

Product Code	:	AFL 300 - 6KXXX
Environment	:	Outdoor/Area Lighting
Installation	:	Pole or Wall Mount
Wattage	:	300W
Dimensions	:	464(H)x410(W)MM
Input Voltage	:	240V±10%
Driver	:	Integral Electronic
Heat Sink	:	Self-Cleaning Smooth
Finish	:	Powder coated Aluminium
Light Source Life	:	100,000Hrs
Nema Socket	:	Optional
Warranty	:	*5 Year

LIGHT SOURCE

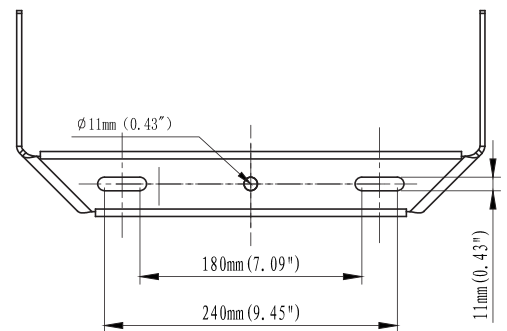
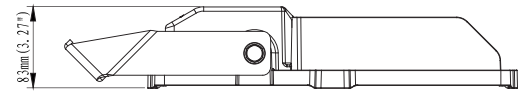
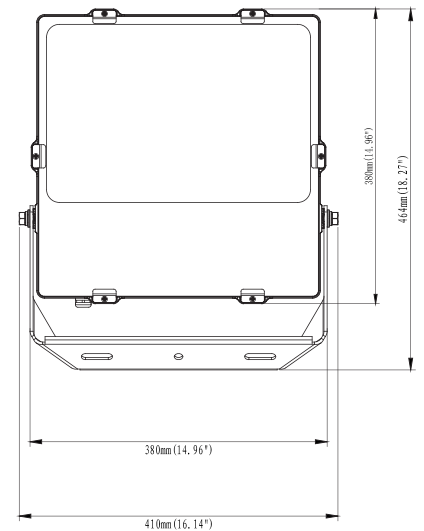
Category	:	Outdoor
Number	:	1
Wattage	:	300W
Lumens	:	39,000 Lm
Beam Angle	:	60/65x120°
Color Temperature	:	6000K
CRI	:	>80
Life Span	:	100,000Hrs

IP RATING

IP RATING	:	IP 66
-----------	---	-------

IK RATING

IK RATING	:	IK 08
-----------	---	-------



Notes:
Installation must be carried out by specialized personnel.
*Warranty conditions please request manufacturer.

MODUX-600 FLOOD LIGHT- 600W IP66 LED FLOOD LIGHTING LUMINAIRE

DESIGNER

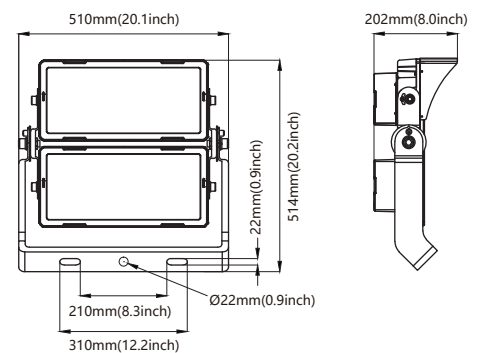
Fosscape Studio

DESCRIPTION

Modux-600 is the second generation large Flood light designed specially with toughened clear Glass optical diffuser designed for Stadium Lighting, Arena's, Golf Courses and other sports field lighting. A very light weight modular design ideally designed to replace existing HID fixtures on existing poles. Integral driver or a option of remote driver gives more flexibility for installations.

FEATURES

Product Code	:	MX-600-6KXXX
Environment	:	Outdoor/Area Lighting
Installation	:	Pole Mount
Wattage	:	600W
Dimensions	:	514x510x202MM
Input Voltage	:	240V±10%
Driver	:	Integral or Remote Electronic
Heat Sink	:	Self-Cleaning Smooth
Finish	:	Powder coated Aluminium
Light Source Life	:	100,000Hrs
Warranty	:	*5 Year



LIGHT SOURCE

Category	:	Outdoor
Number	:	1
Wattage	:	600W
Lumens	:	90,000 Lm
Beam Angle	:	15°/45°/60°/90°/120°
		T30x90/T3VS/T2VS
Color Temperature	:	6000K
CRI	:	>80
Life Span	:	100,000Hrs

IP RATING

IP RATING	:	IP 66
-----------	---	-------

IK RATING

IK RATING	:	IK 08
-----------	---	-------

Notes:

Installation must be carried out by specialized personnel.
*Warranty conditions please request manufacturer.